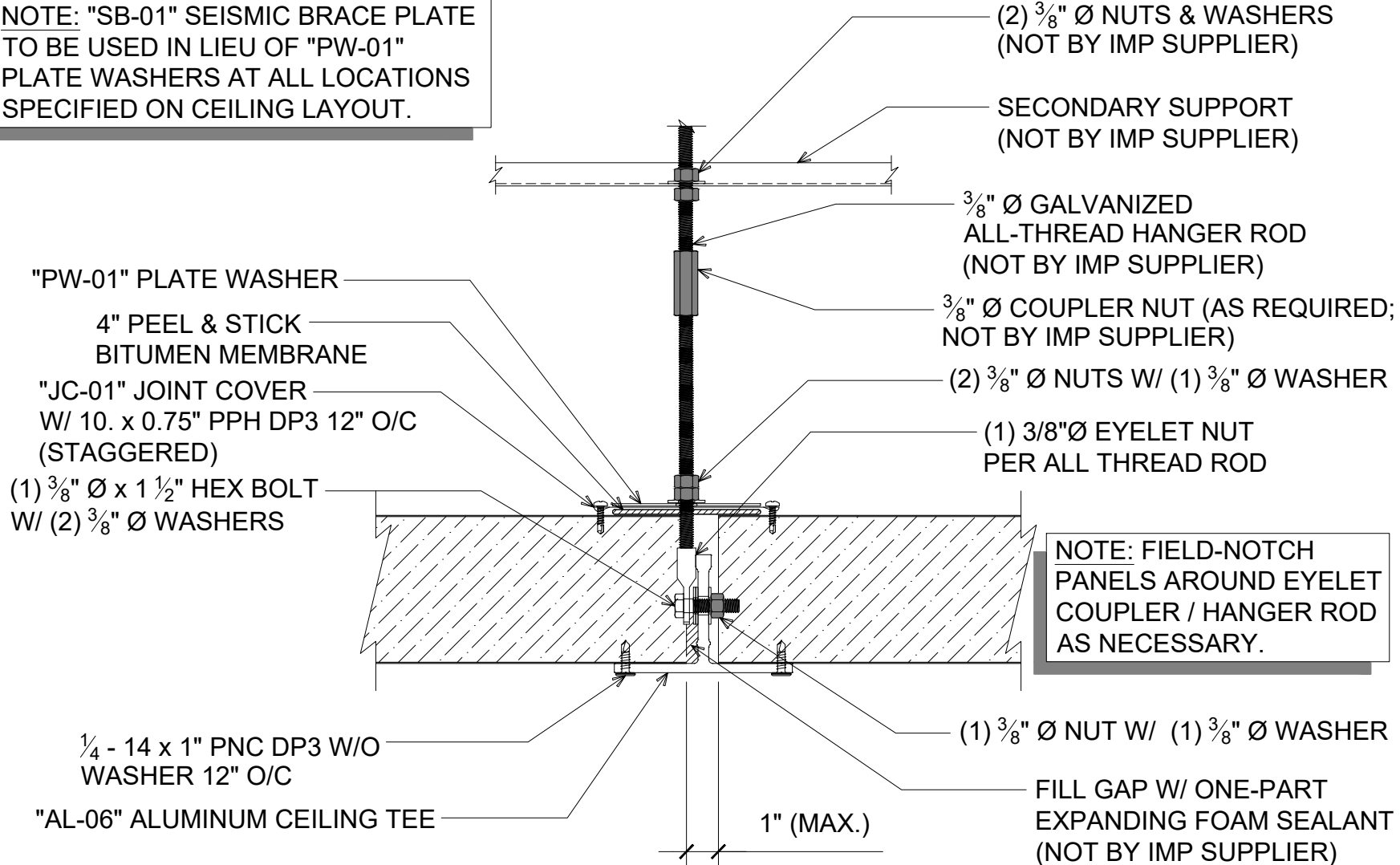


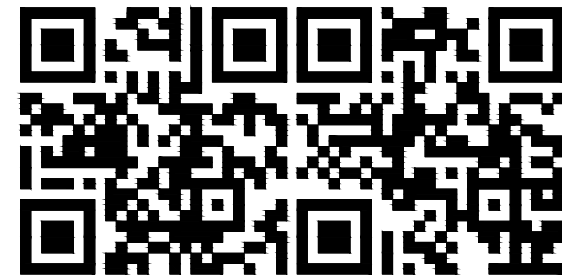
NOTE: "SB-01" SEISMIC BRACE PLATE TO BE USED IN LIEU OF "PW-01" PLATE WASHERS AT ALL LOCATIONS SPECIFIED ON CEILING LAYOUT.



#

SUSPENDED CEILING W/ ALUMINUM TEE (AL-06)

(SECTION VIEW)



DETAIL: SUSPENDED CEILING - AL-06 ALUMINUM TEE W/ EYELET		SHEET: 1 of 1
APPLICATION: CEILING, AMBIENT, COOLER	DATE: 12/15/23	DRAWN BY: MMF
AWIP DETAIL NUMBER: APC-AIIC-SC-006		

929 ALDRIDGE ROAD
VACAVILLE, CA 95688
TEL: (707) 359-2280
FAX: (707) 359-2286
WWW.AWIPANELS.COM

